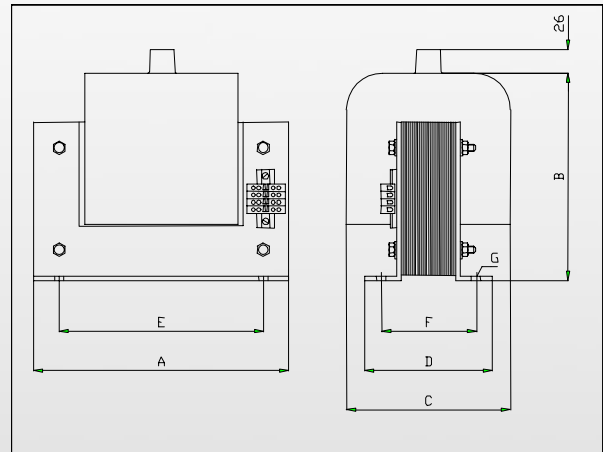
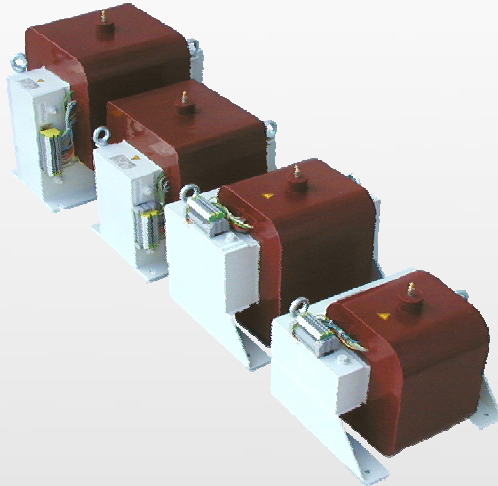


Singlephase Highvoltage Transformers Type TUV



| Type | Power | A [mm] | B [mm] | C [mm] | D [mm] | E [mm] | F [mm] | G [mm] | Weight [kg] |
|----------|----------|-----------|-----------|-----------|-----------|-----------|-----------|-----------|----------------|
| TUV 75a | 100 VA | 125 | 108 | 117 | 95 | 106.6 | 75 | 7 | 3.400 |
| TUV 75b | 150 VA | 125 | 108 | 117 | 115 | 106.6 | 95 | 7 | 4.600 |
| TUV 90a | 200 VA | 150 | 125 | 132 | 110 | 122 | 90 | 7 | 5.700 |
| TUV 90b | 300 VA | 150 | 125 | 132 | 130 | 122 | 100 | 7 | 7.400 |
| TUV 114a | 400 VA | 190 | 155 | 150 | 120 | 152 | 90 | 7 | 10.500 |
| TUV 114b | 600 VA | 190 | 155 | 150 | 145 | 152 | 115 | 7 | 14.000 |
| TUV 132a | 800 VA | 220 | 180 | 160 | 130 | 175 | 100 | 9 | 16.500 |
| TUV 132b | 1000 VA | 220 | 180 | 160 | 145 | 175 | 125 | 9 | 19.200 |
| TUV 168a | 1500 VA | 280 | 225 | 180 | 130 | 225 | 100 | 9 | 30.000 |
| TUV 168b | 2000 VA | 280 | 224 | 180 | 145 | 225 | 125 | 9 | 34.400 |
| TUV 180a | 2500 VA | 300 | 245 | 215 | 160 | 250 | 125 | 12 | 45.750 |
| TUV 180b | 3000 VA | 300 | 245 | 215 | 180 | 250 | 150 | 12 | 52.500 |
| TUV 210a | 3500 VA | 350 | 285 | 275 | 160 | 280 | 130 | 12 | 66.500 |
| TUV 210b | 4000 VA | 350 | 285 | 275 | 180 | 280 | 150 | 12 | 75.600 |
| TUV 240a | 5000 VA | 400 | 300 | 220 | 160 | 325 | 125 | 12 | 92.600 |
| TUV 240b | 6000 VA | 400 | 320 | 250 | 180 | 325 | 150 | 12 | 107.000 |
| TUV 240c | 8000 VA | 400 | 320 | 300 | 220 | 325 | 200 | 12 | 138.000 |
| TUV 240d | 10000 VA | 400 | 320 | 300 | 250 | 325 | 220 | 12 | 154.000 |

Power : up to approx. 10'000VA
Voltage range : up to approx. 25'000V
Isolation voltages : up to approx. 50'000V
Standard : Highvoltage winding connected to ground on one side
 Coils casted in resin (vacuum-pressure)

Reasonably priced and high-quality alternative for oil isolated transformers